

Available with SHOCKWAVE™



# Drive-On

GENERAL SERVICE DRIVE-ON RUNWAY LIFTS

12,000 TO 60,000 LBS. CAPACITY



# ROTARY LIFT

THE WORLD'S MOST TRUSTED LIFT



Shown: SM14U100 14,000 lbs. capacity SHOCKWAVE-equipped runway lift with optional rolling jacks

[www.rotarylif.com](http://www.rotarylif.com)

## WHAT COMES STANDARD WITH EVERY RUNWAY LIFT?

### Versatility.

Nearly 30 years of experience goes into every drive-on lift we build. These runway lifts handle cars, vans, and trucks with ease.



Functionality, space consideration, and improved productivity are key components to consider when investing in a new lift. Our designers and engineers have taken all these considerations and used them to develop the most innovative, reliable and productive drive-on lift products on the market today.

### Focus on Greater Productivity and More Workspace

Take advantage of the quick set-up for undercarriage repairs and wheel service. These versatile runway lifts are proven, durable and require little to no maintenance. **Plus with a new taller column**, technician's work under the highest runway rise in the industry allowing more service access.

### Rotary Drive-On Lifts

#### **Now Supercarged with SHOCKWAVE Equipped Power**

Greater productivity means more profits and both can be achieved with Shockwave™. Optional Shockwave-equipped lifts are the fastest in the world helping you keep step with the ever-changing demand of the vehicle service industry.

### Superior Design with Rigorous Cycle Testing

Rotary lifts are a great value because they are engineered to provide years of trouble-free service. Rotary maintains the largest in-house mechanical, electrical and controls engineering staff in the industry. State of the art design, modeling and analysis software ensures you get a well designed, long lasting product. **And now with an improved hydraulic and mechanical lifting system** concealed and protected under the runway, this high performance design generates greater durability and a more efficient and dependable lift operation.

Rotary cycle tests its lifts and components for at least 20,000 cycles at rated load, giving you a robust, proven and quality tested lift that won't let you down.

### Local Service and Support

Our sales force attends intensive training on our products and the issues that face service repair facilities. Rotary representatives can help you evaluate which lift best meets your needs. With a world-wide network of highly-trained Rotary Authorized Installers and Distributors, service and parts support is always close at hand.

**All from a partner you've trusted since 1925.**

**Rotary Lift.**



## SHOCKWAVE-EQUIPPED LIFTS FEATURE

**2X Faster rise and descent than standard four-post lifts\***



**Patent pending DC power - Operates during loss of facility power**



**Spotline™ motion activated laser helps spot vehicles the first time**



Center vehicles in the service bays quickly and accurately using this laser-guided system.

**Wall or ceiling mounted laser**

**Rotary DESIGN ADVANTAGE**

## SHOCKWAVE Four-Post

### PRODUCTIVITY & PERFORMANCE

1. **PATENTED LOCKING SYSTEM**
2. **PATENT PENDING DC POWER - PROVIDES 2X FASTER SPEED**
3. **HIGHER RISE**
4. **INEXPENSIVE DAILY OPERATION**
5. **THIRD-PARTY ETL GOLD CERTIFIED**

**DELIVERING PRODUCTIVITY and PERFORMANCE**

**SUPERCHARGE YOUR LIFT WITH**

# SHOCKWAVE™

**MAKE YOUR  
RUNWAY LIFT  
2X FASTER**

*Mount power  
unit on front as  
shown or outside  
of front column*

- ✓ **Accelerate your productivity immediately!**
- ✓ **Increase your number of service orders per bay!**
- ✓ **Added productivity equals EXTRA PROFIT!**



Shown: SM014U100 14,000 lbs. capacity  
SHOCKWAVE-equipped runway lift

**The Industry Standard  
JUST GOT FASTER!**

**Shockwave's DC patent pending power system** gives you lower cost and more reliable operation while using two standard Group 24 batteries.\*\*

Shockwave's built in battery charger uses 110v power, eliminating the need for expensive 220v wiring resulting in an installation savings of 80% or more!

\*Actual rise and descent times may vary depending on weight of the vehicle. \*\*Batteries not included.

**SHOCKWAVE IS ONLY AVAILABLE ON SM14 / SM014 SERIES OF LIFTS**





# Y12 12,000 LBS. CAPACITY DRIVE-ON LIFT

*OPEN FRONT AND REAR WITH INNOVATIVE, INDUSTRY LEADING SPEED*

*Compared to traditional scissor lifts, technicians get to work sooner and with fewer obstructions to get in their way. Increase productivity and add dollars to your bottom line with speed, performance and reliability.*

### Productivity You Can Afford

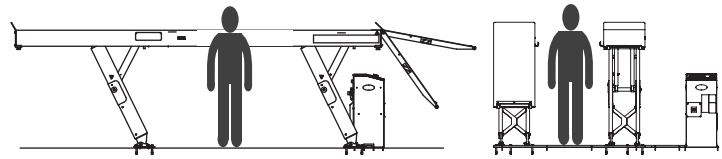
The Y-Lift does so much more. From the smallest micro cars to the largest trucks, the Y-lift can handle up to a 189-1/2" wheelbase.

### Faster than the Competition

An innovative weight sensing control system maximizes rise speed based on vehicle weight. Vehicles raise in 50 seconds.\*

### Y12 Features 360° Productivity

Yspace™ gives technicians 360° of vehicle access adding room to work faster and easier. **Twice the access points for easy movement** - front, rear and sides with side to side walk through for accessing multi-bay projects and tool boxes and making wheel alignment adjustments



Twice the access points for easy technician movement



Front wheel stops can easily be replaced by optional drive through ramps



No forward or rearward movement

### Patented Up and Down Movement

The Y12 design provides true up/down lifting. There is no forward or rearward movement

Y-Lift can be flush mounted or recessed

### Yspace™

360° vehicle access provides techs additional room to work faster and easier!



Shown: Y12NX  
12,000 lbs. capacity drive-on lift

\*Rise speeds vary with vehicle weight.

**Y-Lift Patented Up and Down Movement** provides true up/down lifting. There is no forward or rearward movement adding 20% more workspace below the lift and over 5 times more clear floor space under the runways.

**Y-Lift Options:**

- Can be flush mounted or recessed
- Extended ramps for lower profile vehicles (14" longer than standard)
- High efficiency LED TECH LIGHTS™
- Swing jacks
- Rolling jacks

Increase your service opportunities by lifting front, rear or all wheels off the runways for brake, tire, and suspension work.



#RJ6000Y  
6,000 lbs. capacity



**Low profile ramps** chocks with rollers provide smooth operation

**Hydraulic cylinder, locking mechanism and position sensor** are mounted inside runway to protect them from corrosives and physical damage



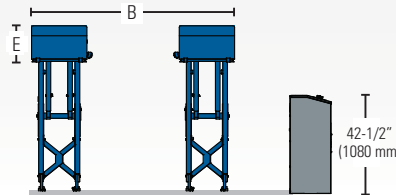
**Y-Lift** *PRODUCTIVITY & PERFORMANCE*

1. **PATENTED TRUE UP / DOWN LIFTING**
2. **WEIGHT SENSOR CONTROL PROVIDES FASTER LIFTING SPEED**
3. **YSPACE™ ADDS 360° OF VEHICLE ACCESS**
4. **THIRD-PARTY ETL GOLD CERTIFIED**

**Y12 LIFT SPECIFICATIONS**

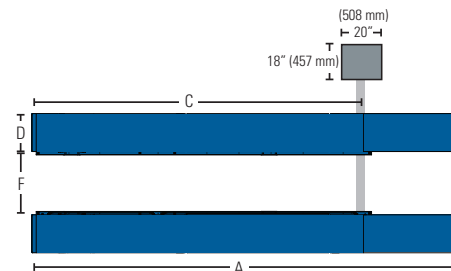
Model:	Y12-L / Standard	Y12-EL1 / Extended
Max. Wheelbase	179 - 1/2" (4459mm)	189 - 1/2" (4813.3mm)
Rise / Floor to top of runway	68 - 3/16" (1732mm)	68 - 3/16" (1732mm)
A. Length Overall	260" (6604mm)	270" (6858mm)
B. Width Overall	88" (2235mm)	88" (2235mm)
C. Length of Runways	202" (5131mm)	212" (5385mm)
D. Width of Runways	24" (610mm)	24" (610mm)
E. Height of Runways	11 - 3/16" (284mm)	11 - 3/16" (284mm)
F. Width Between Runways	40" (1016mm)	40" (1016mm)
Lifting Capacity	12,000 lbs. (5443kg)	12,000 lbs. (5443kg)
Motor / Power	2HP, 1Ø 208/230v	2 HP, 1Ø 208/230v
Time of Full Rise *	50 seconds	50 seconds
Lowering Time *	45 seconds	45 seconds
Min. Bay Size	13' x 26' (3962 x 7925mm)	13' x 26' (3962 x 7925mm)

\*Lower and rise speeds vary with voltage and vehicle weight.



**NOTE:** Locking position heights from the bottom of base plates - varies based on floor slope and shimming.

25 - 1/4"	44"	59"
30 - 1/8"	47"	62"
34 - 1/4"	50"	65"
37 - 7/8"	53"	66 - 3/4"
41"	56"	



Y-Lifts are available in standard colors of blue, red, black and gray.

RAL5005	RAL3002
RAL9005	RAL7040

Additional colors maybe available - consult your Rotary® representative for details and pricing.

# SM14 14,000 LBS. CAPACITY FOUR-POST LIFT

## NEW DRIVE-ON SERVICE LIFT WITH ADDED PRODUCTIVITY FEATURES

**NEW SM14 Series drive-on lifts are engineered for commercial service, are ALI/ETL certified and exceed our industry exclusive performance durability cycle testing.**

These 14K capacity lifts comes standard with unmatched features, equipment and a array of productivity enhancing accessories. Three available wheelbases allow any shop to service a wide range of vehicles from cars to full size trucks. Bolster your service offerings and boost your bottom line with Rotary Lift, the most proven vehicle lifting name in the industry.

### NEW Lift Features:

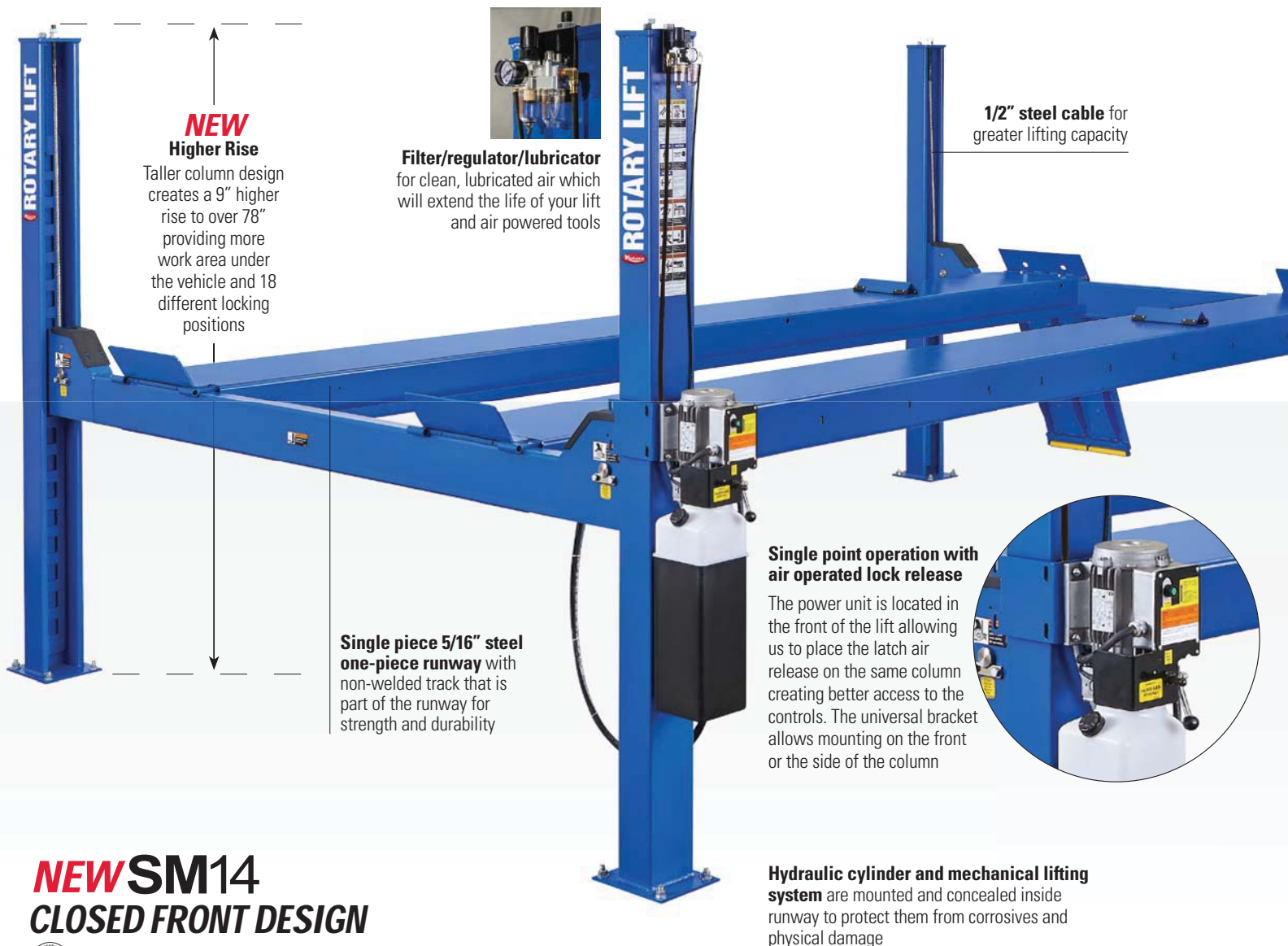
**Higher rise to over 78"** provides more work area under the vehicle

**Powder coated hammer tone paint finish** improves durability and paint life

**Lounered ramps with polymer rollers** provide improved traction and less floor gouging when driving on the lift

**Available with SHOCKWAVE** - creating 2X faster rise and descent

EL model has more than **9 additional inches of wheelbase**



### NEW

#### Higher Rise

Taller column design creates a 9" higher rise to over 78" providing more work area under the vehicle and 18 different locking positions

#### Filter/regulator/lubricator

for clean, lubricated air which will extend the life of your lift and air powered tools

**1/2" steel cable** for greater lifting capacity

**Single piece 5/16" steel one-piece runway** with non-welded track that is part of the runway for strength and durability

#### Single point operation with air operated lock release

The power unit is located in the front of the lift allowing us to place the latch air release on the same column creating better access to the controls. The universal bracket allows mounting on the front or the side of the column

**Hydraulic cylinder and mechanical lifting system** are mounted and concealed inside runway to protect them from corrosives and physical damage

## NEW SM14 CLOSED FRONT DESIGN



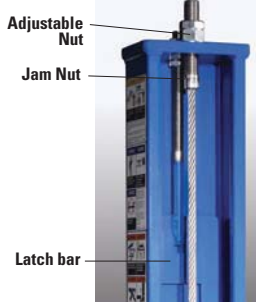
Shown: SM14N100 14,000 lbs. capacity runway lift



Available with  
**SHOCKWAVE™**



## EXCLUSIVE PATENTED FEATURES



**Patented dual function Sentinel Lock™ system** features a slack cable guide arm that stays “on guard” to manage the lock latch. In a slack cable situation, the lock system kicks the lock into position. Fewer parts means less opportunity for service issues and more peace of mind.



**Adjustable latch bars** ensure the runways are level when resting on the latch bars at any of the multiple locking positions.

**NEW improved hydraulic and mechanical lifting system design** - concealed and protected under the runway, high performance cables and sheaves generate greater durability and a more efficient and dependable lift operation



**NEW 41" louvered ramps** for improved drive-on traction. **Wheel chocks** automatically engage when lift is raised

**Polymer rollers** protect shop floor and adds a quieter operation

**NEW powder coated hammer tone paint finish** improves durability and paint life



## SM14 LIFT OPTIONS

### Rolling Jacks

Increase your service opportunities by lifting front, rear or all wheels off the runways for brake, tire, suspension and two or four-wheel alignment work



#R.J7000Y  
7,000 lbs. capacity

### Bolt-On Alignment Kits with new, easy-to-use patented spacer plate

Convert your general service four-post lift into an alignment lift that is compatible with the new technology 3-D alignment equipment on the market today. Comes with stainless steel turning radius gauges.

**CONSULT FACTORY FOR OPTIONS**

**Rotary DESIGN ADVANTAGE**

# SM14 Four-Post

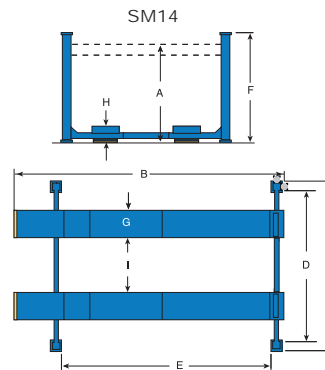
## PRODUCTIVITY & PERFORMANCE

1. PATENTED LOCKING SYSTEM
2. INDUSTRY-BEST RISE HEIGHT
3. SHOCKWAVE-EQUIPPED
4. THIRD-PARTY ETL GOLD CERTIFIED

## SM14 LIFT SPECIFICATIONS

Model:	SM14 / Closed Front
Max. Wheelbase*	S 158" (4013mm)
	L 182" (4622mm)
	EL 215" (5461mm)
A. Rise / Floor to top of runway	78 3/4" (2000mm)
B. Length Overall†	S 18' 10" (5740mm)
	L 20' 10" (6350mm)
	EL 23' 7" (7188mm)
C. Width Overall**†	10' 11 3/4" (3346mm)
Runway Length	S 14' 7 1/4" (4451mm)
	L 16' 7 1/4" (5061mm)
	EL 19' 4" (5893mm)
D. Inside of Columns**	116 1/4" (2953mm)
E. Between Front and Rear Columns	S 171 1/4" (4349mm)
	L 195 1/4" (4959mm)
	EL 228 1/4" (5798mm)
F. Height of Columns	7' 6 1/2" (2299mm)
G. Width of Runways	20" (508mm)
H. Height of Runways	7" (178mm)
I. Width Between Runways	43" - 46" (1092-1168mm)
Lifting Capacity	14,000 lbs. (6350kg)
Motor / SHOCKWAVE	2 HP / 5 HP
Voltage Single Phase / SHOCKWAVE	208v-230v / 110V
Time of Full Rise	65 seconds
SHOCKWAVE Time of Full Rise and Descent***	35 seconds
	18 seconds
Min. Bay Size	S 15' x 23' (4572 x 7010mm)
	L 15' x 26' (4572 x 7925mm)
	EL 15' x 28' (4572 x 8534mm)

**S** = Shorter length    **L** = Standard length    **EL** = Extended length



\* Maximum wheelbase is based on a tire diameter of 29-1/2" (749mm)

\*\* Narrow bay models available. Consult factory for min. bay size before ordering

\*\*\* Actual rise and descent times may vary depending on weight of the vehicle

† Length and / or width overall is 10 -1/2" longer with SHOCKWAVE power unit mounted on the side or front of column

SM14 lifts are available in blue and red. Black is available on the SM14L only.



Additional colors maybe available - consult your Rotary® representative for details and pricing.

# SMO14 14,000 LBS. CAPACITY FOUR-POST LIFT

**NEW DRIVE-ON SERVICE LIFT WITH ADDED PRODUCTIVITY FEATURES**

**NEW SMO14 OPEN FRONT drive-on lifts are engineered for commercial service, are ALI/ETL certified and exceed our industry exclusive performance durability cycle testing**

Like the closed front SM14, the SMO14 comes standard with unmatched features, equipment and numerous productivity enhancing accessories. The **OPEN FRONT DESIGN** allows greater vehicle access and enhanced productivity. Three available wheelbases allow any shop to service a wide range of vehicles from cars to full size trucks.

**NEW Lift Features:**

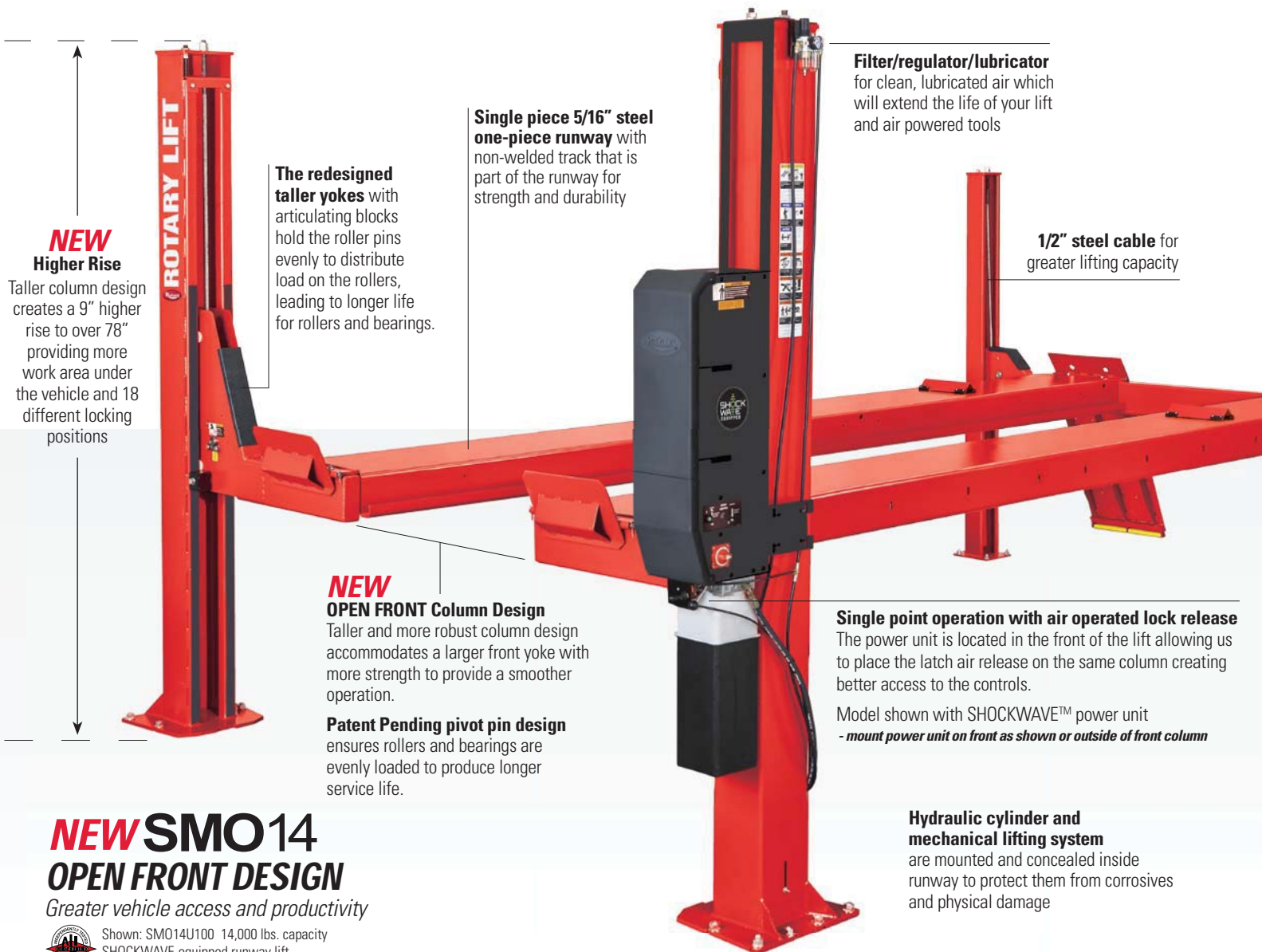
**Higher rise to over 78"** provides more work area under the vehicle

**Powder coated hammer tone paint finish** improves durability and paint life

**Louvered ramps with polymer rollers** provide improved traction and less floor gouging when driving on the lift

**Available with SHOCKWAVE** - creating 2X faster rise and descent

EL model has more than **9 additional inches of wheelbase**



**NEW Higher Rise**

Taller column design creates a 9" higher rise to over 78" providing more work area under the vehicle and 18 different locking positions

**The redesigned taller yokes** with articulating blocks hold the roller pins evenly to distribute load on the rollers, leading to longer life for rollers and bearings.

**Single piece 5/16" steel one-piece runway** with non-welded track that is part of the runway for strength and durability

**Filter/regulator/lubricator** for clean, lubricated air which will extend the life of your lift and air powered tools

**1/2" steel cable** for greater lifting capacity

**NEW OPEN FRONT Column Design**  
Taller and more robust column design accommodates a larger front yoke with more strength to provide a smoother operation.

**Patent Pending pivot pin design** ensures rollers and bearings are evenly loaded to produce longer service life.

**Single point operation with air operated lock release**  
The power unit is located in the front of the lift allowing us to place the latch air release on the same column creating better access to the controls.

Model shown with SHOCKWAVE™ power unit  
- mount power unit on front as shown or outside of front column

**Hydraulic cylinder and mechanical lifting system** are mounted and concealed inside runway to protect them from corrosives and physical damage

## NEW SMO14 OPEN FRONT DESIGN

Greater vehicle access and productivity

Shown: SMO14U100 14,000 lbs. capacity SHOCKWAVE-equipped runway lift

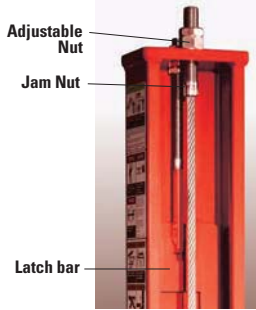




Available with  
**SHOCKWAVE™**



## EXCLUSIVE PATENTED FEATURES



**Patented dual function Sentinel Lock™ system** features a slack cable guide arm that stays "on guard" to manage the lock latch. In a slack cable situation, the lock system kicks the lock into position. Fewer parts means less opportunity for service issues and more peace of mind.



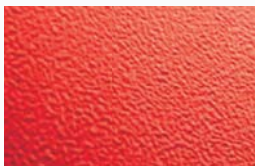
**Adjustable latch bars** ensure the runways are level when resting on the latch bars at any of the multiple locking positions.

**NEW improved hydraulic and mechanical lifting system design** - concealed and protected under the runway, high performance cables and sheaves generate greater durability and a more efficient and dependable lift operation



**NEW 41" louvered ramps** for improved drive-on traction. **Wheel chocks** automatically engage when lift is raised

**Polymer rollers** protect shop floor and adds a quieter operation



**NEW powder coated hammer tone paint finish** improves durability and paint life

## SM014 LIFT OPTIONS

### Rolling Jacks

Increase your service opportunities by lifting front, rear or all wheels off the runways for brake, tire, suspension and two or four-wheel alignment work



#R.J7000Y  
7,000 lbs. capacity

### Bolt-On Alignment Kits with new, easy-to-use patented spacer plate

Convert your general service four-post lift into an alignment lift that is compatible with the new technology 3-D alignment equipment on the market today. Comes with stainless steel turning radius gauges.

**CONSULT FACTORY FOR OPTIONS**

**Rotary DESIGN ADVANTAGE**

# SM014 Four-Post

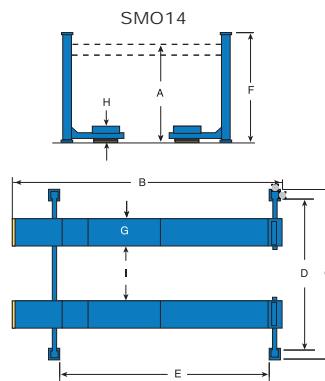
## PRODUCTIVITY & PERFORMANCE

1. PATENTED LOCKING SYSTEM
2. INDUSTRY-BEST RISE HEIGHT
3. SHOCKWAVE-EQUIPPED
4. THIRD-PARTY ETL GOLD CERTIFIED

## SM014 LIFT SPECIFICATIONS

Model:	SM014 / Open Front	
Max. Wheelbase*	S	158" (4013mm)
	L	182" (4622mm)
	EL	215" (5461mm)
A. Rise / Floor to top of runway	78 3/4" (2000mm)	
B. Length Overall†	S	19' 1" (5817mm)
	L	21' 1" (6426mm)
	EL	23' 10" (7264mm)
C. Width Overall†	11' 8 1/2" (3568mm)	
Runway Length	S	14' 7 1/4" (4451mm)
	L	16' 7 1/4" (5061mm)
	EL	19' 4" (5893mm)
D. Inside of Columns	116 1/4" (2953mm)	
E. Between Front and Rear Columns	S	170 3/4" (4337mm)
	L	194 3/4" (4946mm)
	EL	227 3/4" (5785mm)
F. Height of Columns	9' 1 1/16" (2770mm)	
G. Width of Runways	20" (508mm)	
H. Height of Runways	7" (178mm)	
I. Width Between Runways	43" (1092mm)	
Lifting Capacity	14,000 lbs. (6350kg)	
Motor / SHOCKWAVE	2 HP / 5 HP	
Voltage Single Phase / SHOCKWAVE	208v-230v / 110V	
Time of Full Rise	65 seconds	
SHOCKWAVE Time of Full Rise and Descent**	35 seconds	
	18 seconds	
Min. Bay Size	S	15' x 23' (4572 x 7010mm)
	L	15' x 26' (4572 x 7925mm)
	EL	15' x 28' (4572 x 8534mm)

**S** = Shorter length    **L** = Standard length    **EL** = Extended length



\* Maximum wheelbase is based on a tire diameter of 29-1/2" (749mm)

\*\* Actual rise and descent times may vary depending on weight of the vehicle

† Length and / or width overall is 10 -1/2" longer with SHOCKWAVE power unit mounted on the side or front of column

SM014 lifts are available in blue and red.

 RAL5005     RAL3002

Additional colors maybe available - consult your Rotary® representative for details and pricing.

# SM18 18,000 LBS. CAPACITY FOUR-POST LIFT

## SERVICE CARS, VANS AND COMMERCIAL VEHICLES WITH EASE

*When it comes to vehicle services, the versatile SM18 can handle a wheelbase range up to 230" and adding optional alignment equipment converts this lift to match today's alignment service systems.*

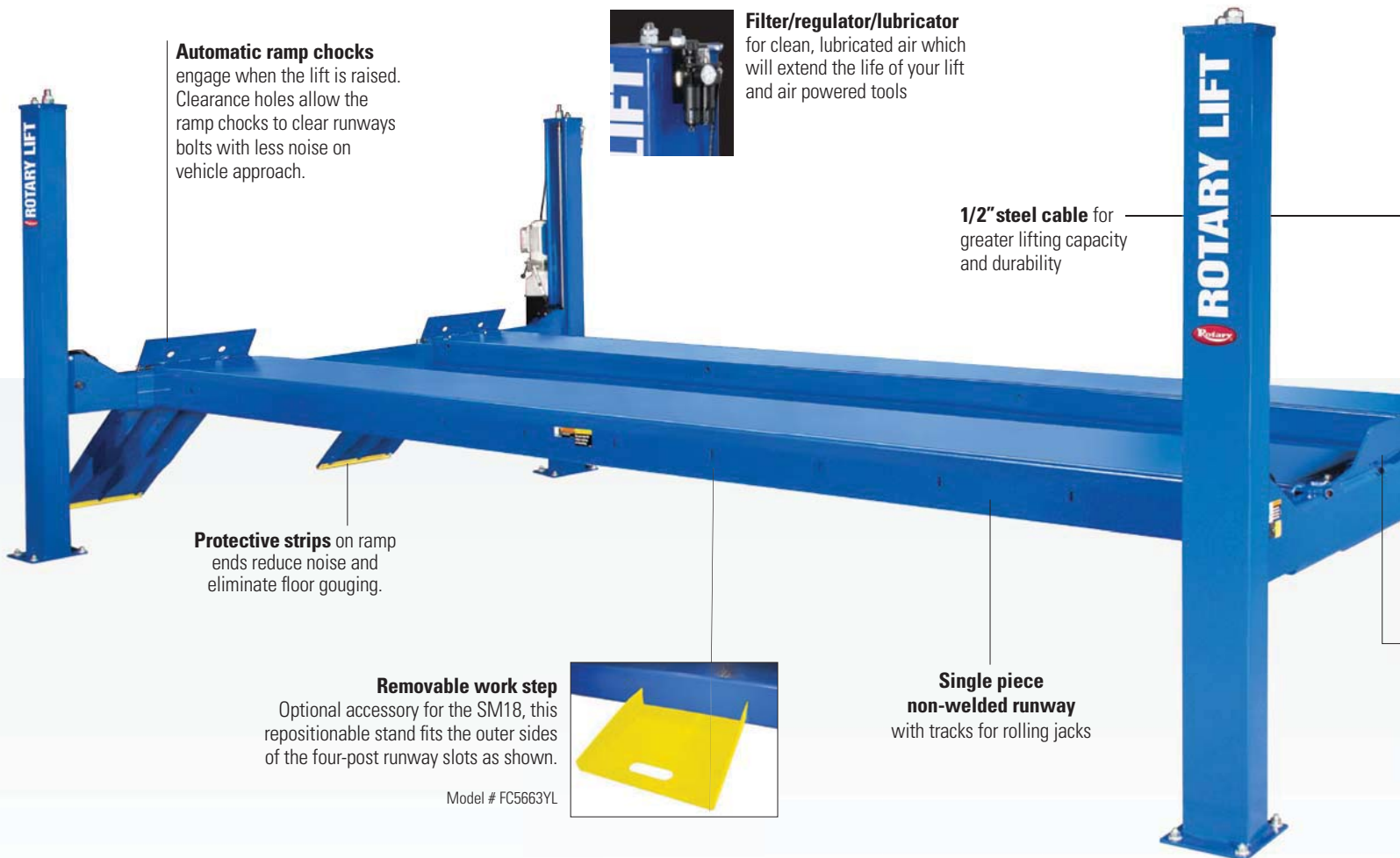
### 18,000 lbs. capacity means more shop advantages

Take your shop services to the next level with this heavy-duty four-post lift. Designed without obstructions to vehicle access, technicians have room to move increasing productivity. This heavy-duty lift is big on performance without taking away signature Rotary lift features.

**This lift is loaded with standard features** you only expect to see with a Rotary drive-on lift.

**Single point release air-locks** save valuable working time by releasing all four spring loaded column locks with the push of a single lever.

**The heavy-duty hydraulic cylinder and lift mechanism** are located underneath the runway, eliminating damaging vehicle obstructions and prolonging the hydraulic system's lifespan.



**Automatic ramp chocks** engage when the lift is raised. Clearance holes allow the ramp chocks to clear runways bolts with less noise on vehicle approach.



**Filter/regulator/lubricator** for clean, lubricated air which will extend the life of your lift and air powered tools

**1/2" steel cable** for greater lifting capacity and durability

**Protective strips** on ramp ends reduce noise and eliminate floor gouging.

**Removable work step**  
Optional accessory for the SM18, this repositionable stand fits the outer sides of the four-post runway slots as shown.



**Single piece non-welded runway** with tracks for rolling jacks

Model # FC5663YL





Shown:  
SM18LO-X 18,000 lbs. capacity lift  
Shown with optional alignment kit

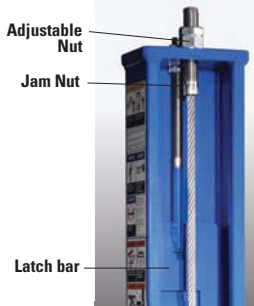
**Rotary DESIGN ADVANTAGE**

# SM18 Four-Post

## PRODUCTIVITY & PERFORMANCE

1. **PATENTED LOCKING SYSTEM**
2. **ALIGNMENT CONVERSION AVAILABLE**
3. **ADJUSTABLE RUNWAY SPACING**
4. **THIRD-PARTY ETL GOLD CERTIFIED**

### EXCLUSIVE PATENTED FEATURES



**Patented dual function Sentinel Lock™ system** features a slack cable guide arm that stays "on guard" to manage the lock latch. In a slack cable situation, the lock system kicks the lock into position. Fewer parts means less opportunity for service issues and more peace of mind.



**Adjustable latch bars** ensure the runways are level when resting on the latch bars at any of the multiple locking positions.



Shown: RJ9000YBK

**Optional rolling jacks** with a variety of adapters lift front, rear or all wheels off the runways for brake, tire, alignment and suspension work. When idle, the jacks roll out of the way to provide unobstructed workspace between runways.

**Internal airline connections** let two rolling jacks operate simultaneously.

**Front wheel stops** can easily be replaced by optional drive through ramps

### SM18 LIFT SPECIFICATIONS

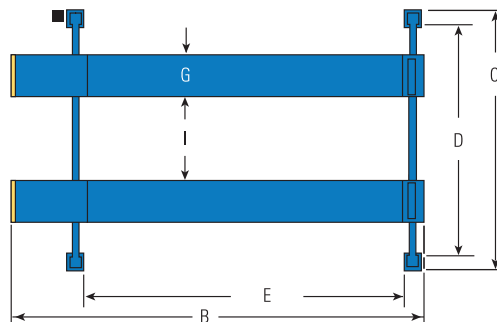
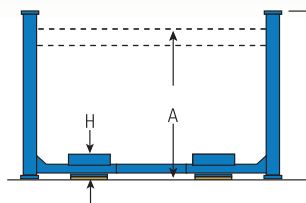
Model:	SM18	SM18-EL
Max. Wheelbase	194" (4927mm)	230" (5842mm)
A. Rise / Floor to top of runway	68" (1727mm)	68" (1727mm)
B. Length Overall*	22' 11" (6990mm)	25' 11" (7904mm)
C. Width Overall	137 11/16" (3497mm)	137 11/16" (3497mm)
D. Inside of Columns	122 3/16" (3104mm)	122 3/16" (3104mm)
E. Between Columns	212" (5385mm)	248" (6299mm)
F. Column Height	6' 5 3/4" (1975mm)	6' 5 3/4" (1975mm)
G. Width of Runways	22" (559mm)	22" (559mm)
H. Height of Runways	8 5/16" (211mm)	8 5/16" (211mm)
I. Width Between Runways	43" (1092mm)	43" (1092mm)
Min. / Max	46" (1168mm)	46" (1168mm)
Lifting Capacity	18,000 lbs. (8165kg)	18,000 lbs. (8165kg)
Motor / Power **	2HP, 1Ø 208/230v	2 HP, 1Ø 208/230v
Time of Full Rise †	80 seconds	80 seconds
Lowering Time	25 seconds	25 seconds
Min Bay Size	13' x 27' (3962mm x 8230mm)	13' x 30' (3962mm x 9144mm)

\* With standard length ramps

\*\* Optional 3-phase electrical available

† At full capacity

Standard color of lifts are blue and red. Additional colors maybe available - consult your Rotary® representative for details and pricing.



**Transform your existing flat top SM18 runway lift into a fully functioning alignment lift.**

The kit fastens to the side of the lift runway and features adjustable flush mounted components that accommodate a variety of vehicle wheelbases.

**SM18 Alignment Kit**

Part No. S100166





# SM30 30,000 LBS. CAPACITY RUNWAY LIFT

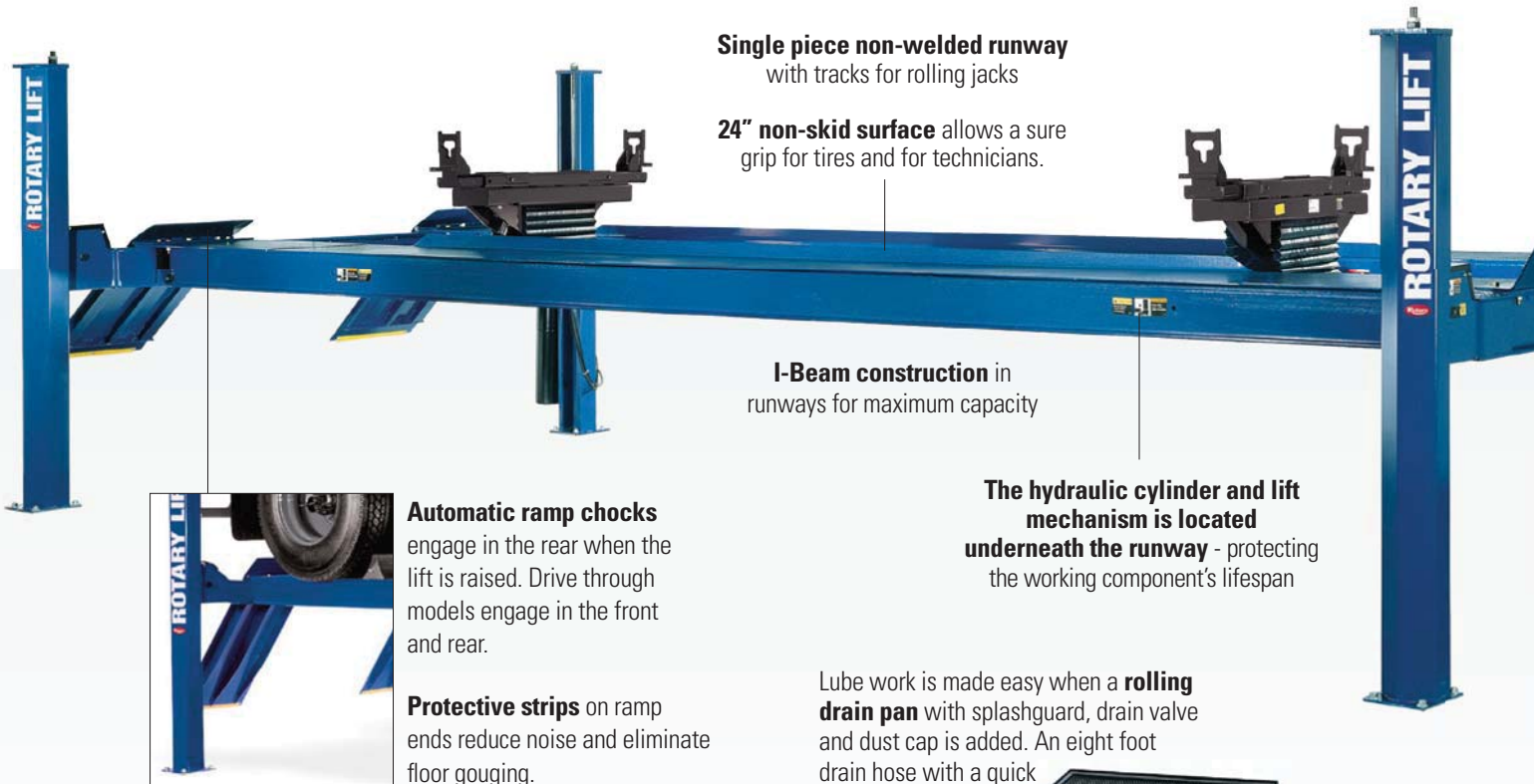
*SERVICE A VARIETY OF VEHICLES WITH MAXIMUM PRODUCTIVITY*

## Heavy-Duty 30K Four Post Drive-On Lifts - Service Wheelbases Up To 307"

Take heavy duty lift service to the next level with this four-post designed without side obstructions and better vehicle access. With a 68" lifting height, the SM30 clear floor design allows technicians room to access tool boxes and other shop equipment increasing productivity and reducing downtime. Plus, the single point air-lock release releases all four spring loaded column locks at one time adding greater productivity. Numerous accessories turns this lift into a complete service solution for any shops' needs. These lifts handle cars, vans, trucks - even light and medium duty commercial vehicles with ease. If you service a wide variety of vehicles, Rotary 30,000 lbs. capacity four-post auto lifts are the right choice for maximum productivity.



Shown: SM30N0-X  
30,000 lbs. capacity  
with optional rolling jacks



**Single piece non-welded runway**  
with tracks for rolling jacks

**24" non-skid surface** allows a sure grip for tires and for technicians.

**I-Beam construction** in runways for maximum capacity

**The hydraulic cylinder and lift mechanism is located underneath the runway** - protecting the working component's lifespan

Lube work is made easy when a **rolling drain pan** with splashguard, drain valve and dust cap is added. An eight foot drain hose with a quick disconnect fitting is also available.



#FC5968BK  
SM300 series, 30 gallon capacity



**Automatic ramp chocks** engage in the rear when the lift is raised. Drive through models engage in the front and rear.

**Protective strips** on ramp ends reduce noise and eliminate floor gouging.



Shown: SM30N0-X  
30,000 lbs. capacity with optional rolling jacks

# SM30 Four-Post

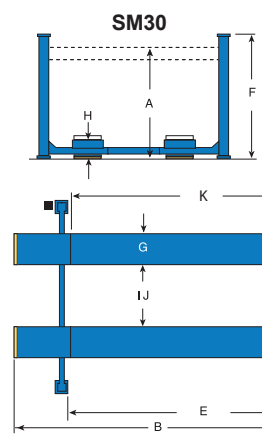
**PRODUCTIVITY & PERFORMANCE**

1. **PATENTED SENTINEL LOCKING SYSTEM**
2. **MULTIPLE RUNWAY LENGTHS**
3. **ADJUSTABLE RUNWAY SPACING**
4. **THIRD-PARTY ETL GOLD CERTIFIED**

## SM30 LIFT SPECIFICATIONS

Model:	SM30S SM30L SM30EL
Maximum Wheelbase*	<b>S</b> 235" (5969mm) <b>L</b> 271" (6883mm) <b>EL</b> 307" (7798mm)
A. Rise / Floor to top of runway	68" (1727mm)
B. Length Overall	<b>S</b> 25' 8 1/8" (7826mm) <b>L</b> 28' 8 1/8" (8741mm) <b>EL</b> 31' 8 1/8" (9655mm)
C. Width Overall	12' 6" (3811mm)
D. Inside of Columns	133" (3378mm)
E. Between Columns	<b>S</b> 249" (6325mm) <b>L</b> 285" (7239mm) <b>EL</b> 321" (8153mm)
F. Height of Columns	7' 3/4" (2153mm)
G. Width of Runways	24" (610mm)
H. Height of Runways	8 3/4" (222mm)
I. Width Between Runways (min.)	42" (1067mm)
J. Width Between Runways (max.)	48" (1219mm)
K. Length of Runways	<b>S</b> 248 1/2" (6312mm) <b>L</b> 284 1/2" (7226mm) <b>EL</b> 320 1/2" (8141mm)
Lifting Capacity	30,000 lbs. (13608kg)
Motor	4 HP
Voltage Single Phase †	208v-230v
Time of Full Rise	105 seconds
Min. Bay Size	<b>S</b> 16' x 30' (4877 x 9144mm) <b>L</b> 16' x 33' (4877 x 10059mm) <b>EL</b> 16' x 36' (4577 x 10973mm)

**S** = Shorter length **L** = Standard length **EL** = Extended length



† Optional 3-phase electrical available  
Standard color of lifts are blue and red. Additional colors maybe available - consult your Rotary® representative for details and pricing.  
**RAL5005** **RAL3002**

**RAISE YOUR FORKLIFT TO NEW HEIGHTS!**

# RFL25

**25,000 LBS. CAPACITY FORKLIFT SERVICE LIFT**

- Features**
- Single point release air-locks
  - Automatic ramp chocks
  - Drive through models
  - ALI / ETL Certified



**CONSULT FACTORY FOR DETAILS**

Shown: RFL25 Fork Lift Model 25,000 lbs. capacity

**Heavy-duty steel cable** for greater lifting capacity and durability



**Front wheel stops** can easily be replaced by optional drive through ramps

**Optional rolling jacks** with a variety of adapters lift front, rear or all wheels off the runways for brake, tire, alignment and suspension work. When idle, the jacks roll out of the way to provide unobstructed workspace between runways.



**Standard Internal airline connections** let two rolling jacks operate simultaneously.

**Alignment Capable Lift**  
Convert the SM30 into a fully functioning alignment lift by adding a two-wheel alignment kit. Bolt-on kits include front turning radius gauge kits and rear leveling plates. Rear slip plates are not available. Alignment kit is not rollback compatible.

# HDC36 HEAVY-DUTY RUNWAY LIFT

## PRODUCTIVITY AND PERFORMANCE IN A DRIVE ON LIFT

**Make sure your shop is ready for more business servicing larger vehicles with ease. Technicians can work quicker and more efficiently with a level peace of mind. And, raise your fleet faster with an industry best rise time of 68 seconds!**

### LOWER YOUR COST OF OWNERSHIP

This stout four post lift will lift big box trucks, single axle dump trucks all the way down to your shop tool truck. The HDC36 allows you to operate the lift from any column, saving valuable time. DC battery operated with an onboard charger that needs only 110v electricity to charge, this affordable four post lift is easy to operate and inexpensive to own.

### ENVIRONMENTALLY FRIENDLY FEATURES

**Surface mounted and anchored**, it requires no excavation

**Optional high efficiency LED lighting** saves electricity and money over comparable incandescent and fluorescent lighting

**Bio fluid ready**



### DESIGN FEATURES

- 28" wide runways with two available lengths and capacities handle any number of vehicles from cars to the largest trucks
- Clear floor four-post design creates an open work area
- 79" lifting height benefits the tallest techs
- Standard internal airline connections let two rolling jacks operate simultaneously and provides outlets for air tools
- Optional wheel kit is available to provide portability for each column adding movement within your shop.

### BATTERY OPERATED LIFT WITH ONBOARD CHARGER

- Generates at least 1.5 X faster lift cycle times
- No special AC wiring costs or requirements
- Low electrical usage - *DC battery power\* and 110V charging*
- Fully functional when the power goes out

\* Battery purchased separately for international use

### INVERTED HYDRAULIC CYLINDER

The hydraulic cylinder is inverted inside the carriage so the chrome piston rod is protected from debris and damage - extending the life of the column and reducing maintenance frequency and cost. No lifting cables or chains means less maintenance.



**WHEEL CHOCKS**

Automatic wheel chocks engage when the lift is raised and ramps are off the floor



### ANCHORED COLUMN SUPPORT

Four easy to install wedge style anchors secure each heavy duty column to the floor

### HORSESHOE WIRING

The HDC is connected by three communication cables, (forming a horseshoe) protected within the lift runways.

Shown: HDC36U000

35,900 lbs. capacity

Shown with optional rolling jacks





**Rotary DESIGN ADVANTAGE**

# HDC Four-Post


PRODUCTIVITY & PERFORMANCE

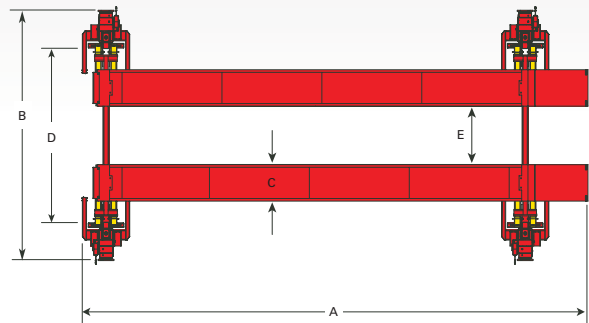
1. PATENTED CONTROLS FOR ACTIVE LEVELING
2. DC POWER - PROVIDES SPEED
3. DIRECT CYLINDER LIFTING
4. THIRD-PARTY ETL GOLD CERTIFIED

## HDC 36 LIFT SPECIFICATIONS \*

Model:	HDC36
Lifting Capacity	35,900 lbs. (16,283kg)
Maximum Wheelbase	25' (300" / 7,620mm) 30' (360" / 9,144mm)
Max. Rise / Floor to top of runway	79" (2,007mm)
A. Length Overall	33' 11-3/4" (10,358mm) 38' 11-3/4" (11,882mm)
B. Width Overall - outside controls	16' 3-3/8" (4963mm)
Height of Columns when raised	89" (2260mm)
C. Width of Runways	28" (711mm)
D. Drive Thru Between Columns	12'-4" (3607mm)
E. Runway Spacing	45" (1143mm)
Rise Time	68 seconds
Ramp Angle	7 degrees
Power Usage	Battery powered Charges on 110V

### \*BOTH 25' AND 30' RUNWAY LENGTH MODELS ARE AVAILABLE AS 35,900 LBS. CAPACITY LIFTS

Standard color of HDC36 lifts are red.  RAL3002  
Additional colors maybe available  
- consult your Rotary® representative for details and pricing.



Shown: HDC36U000  
35,900 lbs. capacity  
Shown with optional rolling jacks

### PATENTED CONTROL SYSTEM

Operate lift from ANY post with this user-friendly, exclusive control system

- Intuitive controls - lift can be controlled from ANY column
- Position memory - lifting cycles are configured and set creating a two step process: turn each column on, lock the columns and go!
- Programmable controls show operational status for each column plus, program a height limiter
- Real time height reading
- Ability to raise or lower a single end
- Level lifting within 1" at each column
- Battery Indicator
- Oversized E-Stop button located at each panel
- Audible descent alarm for added safety



E STOP Button

### THIRD PARTY CERTIFIED

The HDC Series lifts meet the ANSI/ALI ALCTV 2011 standard, including the required third-party validation. Your assurance of certification is the gold ALI/ETL certified label.



Accommodates wheelbases up to 30'

Shown: HDC36U000  
35,900 lbs. capacity  
Shown with optional rolling jacks

### LOW DRIVE-ON HEIGHT

Ramps and runways accommodate a variety of vehicle types. Optional drive thru ramp kit available.

Add optional **rolling bridge jacks** and increase your service opportunities by lifting wheels off the runways for two-wheel alignment work.

# HDC50/60 HEAVY-DUTY RUNWAY LIFT

**THE MOST VERSATILE AND FASTEST FOUR-POST LIFT IN THE INDUSTRY**

**Operator friendly designs and industry exclusive features offer you a drive-on four post lift that's easier to use and faster than similar competitive lifts.**

## LOWER YOUR COST OF OWNERSHIP

With no complicated or expensive electrical installation, no cables, chains or sheaves to maintain and fewer moving parts, the fully hydraulic HDC50/60 is one of the most dynamic four-post lifts in the industry! DC battery operated with an onboard charger that needs only 110v electricity to charge, this affordable four post lift is easy to operate and inexpensive to own. Choose the lift model that fits your needs best - both runway lengths are available in both lifting capacities!

## ENVIRONMENTALLY FRIENDLY FEATURES

**Surface mounted and anchored**, it requires no excavation

**Optional high efficiency LED lighting** saves electricity and money over comparable incandescent and fluorescent lighting

**Bio fluid ready**



## INVERTED HYDRAULIC CYLINDER

The hydraulic cylinder is inverted inside the carriage so the chrome piston rod is protected from debris and damage - extending the life of the column and reducing maintenance frequency and cost. No lifting cables or chains means less maintenance.

## WHEEL CHOCKS

Automatic wheel chocks engage when the lift is raised and ramps are off the floor

## DESIGN FEATURES

**28" wide runways** with two available lengths and capacities handle any number of vehicles

**Clear floor four-post design** creates an open work area free of interference

**Industry best rise time of 65 seconds**

**78" lifting height** benefits the tallest techs

**Standard internal airline connections** let two rolling jacks operate simultaneously and provides outlets for air tools



## PATENTED CONTROL SYSTEM

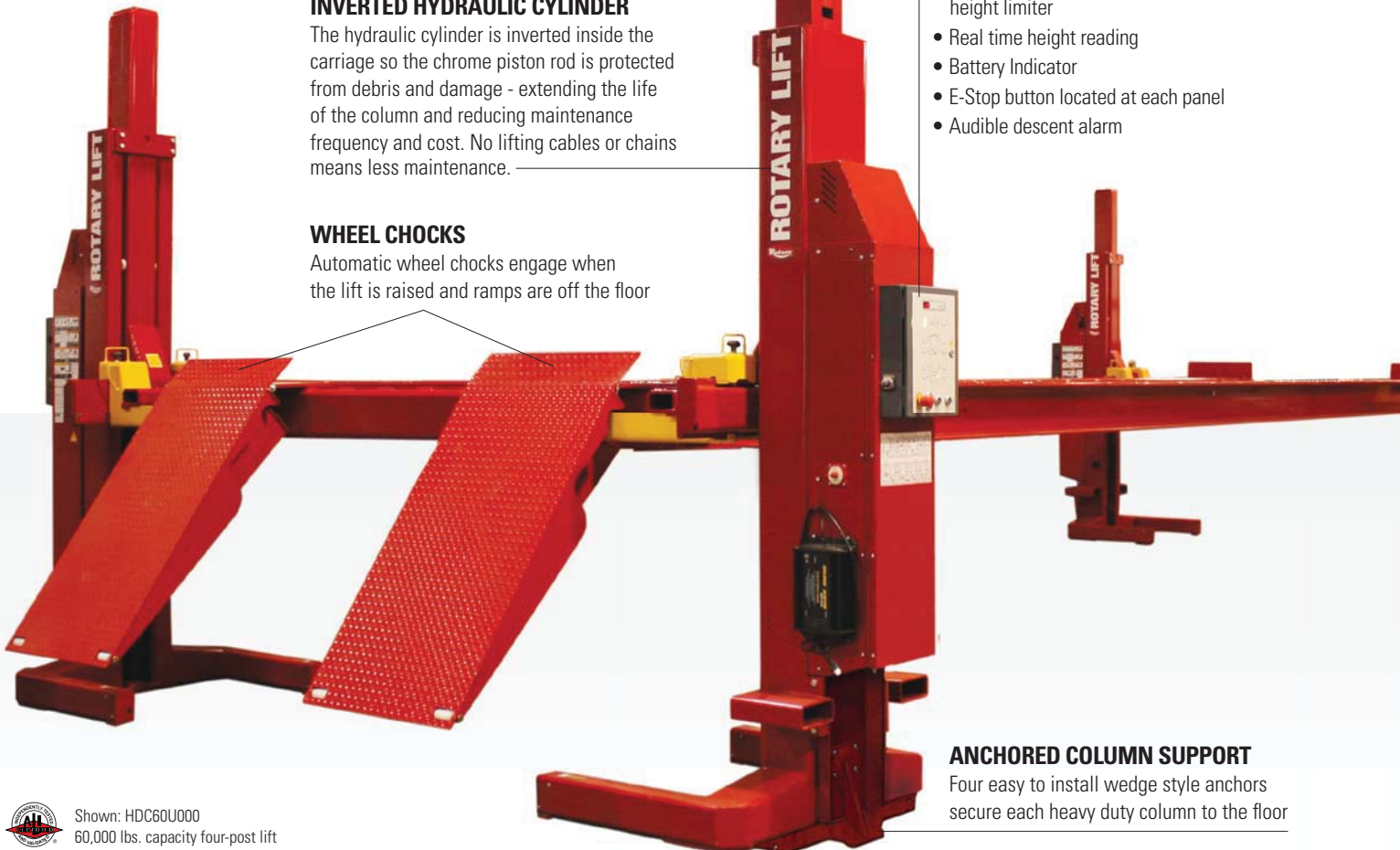
**Operate lift from ANY post with this user-friendly, exclusive control system**

Position memory - lifting cycles are configured and set creating a two step process: turn each column on, lock the columns and go!

- Programmable controls show operational status for each column plus, program a height limiter
- Real time height reading
- Battery Indicator
- E-Stop button located at each panel
- Audible descent alarm

## ANCHORED COLUMN SUPPORT

Four easy to install wedge style anchors secure each heavy duty column to the floor



Shown: HDC60U000  
60,000 lbs. capacity four-post lift

**Rotary** DESIGN ADVANTAGE

# HDC Four-Post

PRODUCTIVITY & PERFORMANCE

1. PATENTED CONTROLS FOR ACTIVE LEVELING
2. DC POWER - PROVIDES SPEED
3. DIRECT CYLINDER LIFTING
4. THIRD-PARTY ETL GOLD CERTIFIED

## BATTERY OPERATED LIFT WITH ON-BOARD CHARGERS

- Generates faster lift cycle times  
- at least 1.5 X faster than comparable lifts
- No special AC wiring costs or requirements
- Low electrical usage  
- DC battery power\* and 110V charging
- Fully functional when the power goes out

\* Battery purchased separately for international use

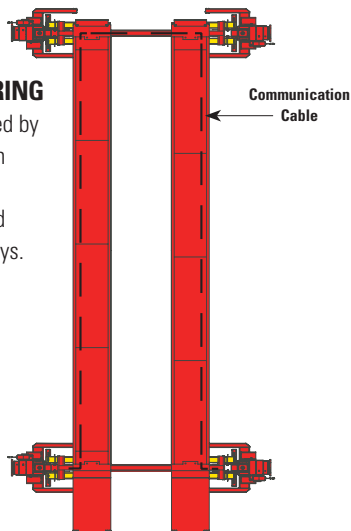
## THIRD PARTY CERTIFIED

The HDC Series lifts meet the ANSI/ALI ALCTV 2011 standard, including the required third-party validation. Your assurance of certification is the gold ALI/ETL certified label.



## HORSESHOE WIRING

The HDC is connected by three communication cables, (forming a horseshoe) protected within the lift runways.

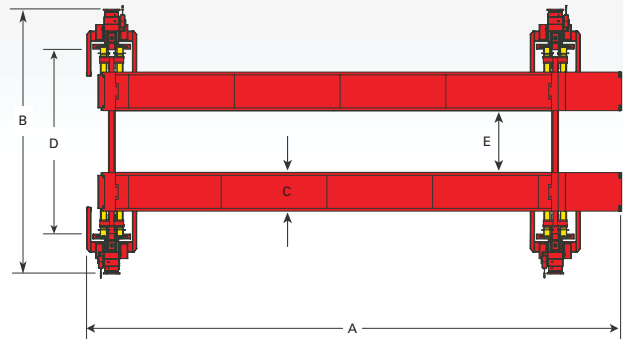


## HDC 50 / 60 LIFT SPECIFICATIONS \*

Model:	HDC50	HDC60
Lifting Capacity	50,000 lbs. (22679kg)	60,000 lbs. (27215kg)
Maximum Wheelbase	28' (336"/ 8534mm)	33' (396"/ 10058mm)
Max. Rise / Floor to top of runway	78" (1981mm)	78" (1981mm)
A. Length Overall	35' 7-1/2" (10858mm)	40' 7-1/2" (12382mm)
B. Width Overall - outside controls	15' 11" (4851mm)	15' 11" (4851mm)
Height of Columns when raised	144 - 3/4" (3677mm)	144 - 3/4" (3677mm)
C. Width of Runways	28" (711mm)	28" (711mm)
D. Drive Thru Between Columns	11'-10" (3607mm)	11'-10" (3607mm)
E. Runway Spacing	45" (1143mm)	45" (1143mm)
Rise Time	65 seconds	65 seconds
Ramp Angle	10 degrees	10 degrees
Power Usage	Battery powered Charges on 110V	Battery powered Charges on 110V

## \*BOTH 28' AND 33' RUNWAY LENGTH MODELS ARE AVAILABLE AS 50,000 AND 60,000 LBS. CAPACITY LIFTS

Standard color of HDC50 / 60 lifts are red.  Additional colors may be available - consult your RAL3002 Rotary® representative for details and pricing.



Add optional **rolling bridge jacks** and increase your service opportunities by lifting wheels off the runways for two-wheel alignment work.

## LOW DRIVE-ON HEIGHT

Ramps and runways accommodate a variety of vehicle types. Optional drive thru ramp kit available.

**SERVICE WHEELBASES UP TO 33'**



Shown: HDC60U000  
60,000 lbs. capacity four-post lift







# OPTIONAL LIFT ACCESSORIES

Increase bay productivity with these drive-on lift accessories

## TECH LIGHT™ Line Light 4 LED Lighting Kit

Attach the four 54" light wands to runways for effective, efficient lighting where you need it.

- 120V AC input voltage
- 60hz



#FA5700 Lighting unit includes 60W power supply unit, 16' cable lengths and 8 magnetic suspensions

## Air / Utility Box

Mounts easily on any column and provides quick access to utilities

- Two 110v electric outlets and air connection
- The filter/regulator/lubricator helps extend the life of your air tools



#FA915 KIT

## Oil Drain Pan

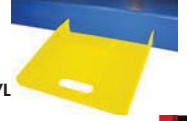
Available for most lifts, drain pan includes splash guard, drain valve and dust cap.



**CONSULT FACTORY FOR OPTIONS**

## Removable Work Steps

Fits 14K and 18K four-post lifts with slots on sides of runways as shown.



#FC5663YL

## Internal Airline Kit

Standard Internal airline connections let two rolling jacks operate simultaneously, and provides air outlet on the runway.



#FC5760-14

Internal airline kit #FC5760-14 not available for 30,000 to 60,000 lbs. capacity lifts. Consult factory for details.

## Rolling Jacks

Increase your service opportunities by lifting front, rear or all wheels off the runways for brake, tire, suspension and two or four-wheel alignment work. Available in 6,000 lbs. to 25,000 lbs. capacities.

- Hydraulic operation with 2 locking positions
- Drop in rubber adapters made with high durometer rubber.
- Easy glide wheels roll smoothly in the track. A sweeper pushes debris away from the wheel.



#RJ6000Y  
Y12 accessory



#RJ7000Y  
SM14 / SM014 accessory



#RJ9000YBK / #RJ9000Y-2BK  
SM18 / SM30 accessory



#RJ150BK  
SM30 accessory



#RJ25001L  
25,000 lbs. capacity  
#RJ30001L  
30,000 lbs. capacity  
HDC 36/50/60 accessory

## Swing Air Jacks

6,000 lbs. and 8,000 lbs. capacity swing air jacks pivot and lay flat between the runways when not in use.



#SJ6000 and #SJ8000 Y12 / SM14 / SM014 accessory

## Drive-On Standard/Optional Lift Features

FEATURE	Standard Feature ●	Y12	SM14	SM014	SM18
	Optional Feature ○	12,000 lbs.	14,000 lbs.	14,000 lbs.	18,000 lbs.
ALI Certified	●	●	●	●	●
Open front or open rear design		Open front and rear	Closed front	Open front	Closed front
Recessed installation	○		N/A	N/A	N/A
SHOCKWAVE™ Equipped models		N/A	○	○	N/A
Power unit on front column		N/A	●	●	●
Single point lock release	●	●	●	●	●
Cylinder located under the runway	●	●	●	●	●
Dual function Sentinel Lock™ System		N/A	●	●	●
Air filter / regulator / lubricator	●	●	●	●	●
Air / Electric utility box	○	○	○	○	○
Multiple runway lengths available	○	○	○	○	○
Adjustable runway spacing		N/A	○	N/A	○
Adjustable locking latch bars		N/A	●	●	●
One piece runway	●	●	●	●	●
Internal airline kit	○	○	○	○	○
Rolling jacks available	○	○	○	○	○
Converts to alignment lift		N/A	○	○	○
Drive-thru conversion	○	○	○	○	○
Lower profile extended ramps	○	○	○	○	○

### Bolt-On Alignment Kits

Convert your general service four-post lift into an alignment lift that is compatible with the new technology 3-D alignment equipment on the market today. Comes with stainless steel turning radius gauges.

**CONSULT FACTORY FOR OPTIONS**



### Ramp Kits

Allows for drive-thru capability

- Oil resistant, non-skid coating
- Includes two ramps and hardware
- Extended length ramps for low clearance vehicles available

**CONSULT FACTORY FOR OPTIONS**



## HDC SERIES HEAVY DUTY LIFT ACCESSORIES

### Optional Rolling Bridge Jacks

Air operated rolling bridge jacks can be attached to the runways creating various lifting options to make these lifts even more versatile.



#RJ25001L - 25,000 lbs. capacity  
#RJ30001L - 30,000 lbs. capacity



#M140111RD

### Mobility Kit

Optional wheel kit is available to provide portability for each column adding movement within your shop.

### Optional LED Lighting

High-efficiency LED runway and column-mounted lighting systems. These easy-to-use lighting systems provide hands-free, effective lighting under the vehicle.

**CONSULT FACTORY FOR OPTIONS**

### Drive-Thru Ramp Kit

Adding a drive-thru ramp kit creates a quick and easy on-off service operation for service bays.



#M140099RD  
10' (3048mm) drive-thru ramp kit

## Drive-On Standard/Optional Lift Features

FEATURE	Standard Feature ●	SM30	HDC36	HDC50/60
	Optional Feature ○	30,000 lbs.	35,900 lbs.	50,000 lbs. / 60,000 lbs.
ALI Certified	●	●	●	●
Open front or open rear design	○	Closed front	Closed front	Closed front
Recessed installation	○	N/A	N/A	N/A
<b>SHOCKWAVE™</b> Equipped models	○	N/A	N/A	N/A
Power unit on front column	○	N/A	All four posts	All four posts
Single point lock release	●	●	●	●
Cylinder located under the runway	○	●	Located in columns	Located in columns
Dual function Sentinel Lock™ System	○	●	N/A	N/A
Air filter / regulator / lubricator	○	○	N/A	N/A
Air / Electric utility box	○	○	N/A	N/A
Multiple runway lengths available	○	●	●	●
Adjustable runway spacing	○	●	N/A	N/A
Internal airline kit	○	●	●	●
Rolling jacks available	○	○	○	○
Converts to two-wheel alignment lift *Can be used with heavy duty turnplates. Consult factory for more information.	○	○	*	*
Drive-thru conversion	○	○	○	○
Extended ramps	○	○	○	○



# LIFT APPLICATION GUIDE



## VEHICLE CLASS

GVW:  
Gross Vehicle Weight



**CLASS 1**  
Under 6,000 lbs. GVW



**CLASS 2**  
6,001 to 10,000 lbs. GVW



**CLASS 3**  
10,001 to 14,000 lbs. GVW



**CLASS 4**  
14,001 to 16,000 lbs. GVW



**CLASS 5**  
16,001 to 19,500 lbs. GVW



**CLASS 6**  
19,501 to 26,000 lbs. GVW



**CLASS 7**  
26,001 to 33,000 lbs. GVW



**CLASS 8**  
33,001 lbs. and over GVW

	6,000 lbs.	7,000 lbs.	10,000 lbs.	8,000 lbs.	10,000 lbs.	12,000 lbs.	7,000 lbs.	10,000 lbs.	12,000 lbs.	15,000 lbs.	18,000 lbs.	12,000 lbs.	14,000 lbs.	18,000 lbs.	30,000 lbs.	36,000 lbs.	50,000 lbs.	60,000 lbs.	52,000 lbs.	72,000 lbs.	78,000 lbs.	108,000 lbs.	144,000 lbs.	30,000 lbs.	36,000 lbs.	45,000 lbs.	50,000 lbs.	75,000 lbs.	100,000 lbs.	60,000 lbs.	70,000 lbs.	90,000 lbs.	105,000 lbs.	
CLASS 1	•	•	•	•	•	•	•	•	•	•	•	•	•	•	•	•	•	•	•	•	•	•	•	•	•	•	•	•	•	•	•	•	•	•
CLASS 2		•	•	•		•	•	•	•	•	•	•	•	•	•	•	•	•	•	•	•	•	•	•	•	•	•	•	•	•	•	•	•	•
CLASS 3									•	•	•		•	•	•	•	•	•	•	•	•	•	•	•	•	•	•	•	•	•	•	•	•	•
CLASS 4										•	•			•	•	•	•	•	•	•	•	•	•	•	•	•	•	•	•	•	•	•	•	•
CLASS 5											•			•	•	•	•	•	•	•	•	•	•	•	•	•	•	•	•	•	•	•	•	•
CLASS 6															•	•	•	•	•	•	•	•	•	•	•	•	•	•	•	•	•	•	•	•
CLASS 7															•	•	•	•	•	•	•	•	•	•	•	•	•	•	•	•	•	•	•	•
CLASS 8																•	•	•	•	•	•	•	•	•	•	•	•	•	•	•	•	•	•	•

**NOTE:** This reference guide indicates that the noted lift is applicable to the vehicle based on typical vehicle weights, lengths and wheelbases. All information should be verified before purchasing a lift.



### Rotary Lift

2700 Lanier Drive  
Madison, IN 47250, USA



www.rotarylif.com

### North / South America Contact Information

Sales: p 800.640.5438  
e userlink@rotarylif.com  
Tech. Support: p 800.445.5438  
e techlink@rotarylif.com

### Global Contact Information

USA: 1.812.273.1622  
Canada: 1.905.812.9920  
Latin America / Caribbean: 1.812.273.1622  
Brazil: +55.11.4534.1995

### Assistance for Government Purchasing

Government Sales: 800.445.5438 X5655



Lit# Rotary\_Drive On Runway Brochure\_2017.05  
(Supersedes Lit# Rotary\_Drive On Runway Brochure\_2017.04)

©2017 VEHICLE SERVICE GROUP<sup>SM</sup>. Printed in U.S.A., All Rights Reserved.  
Unless otherwise indicated, ROTARY LIFT, VEHICLE SERVICE GROUP<sup>SM</sup>, DOVER  
and all other trademarks are property of Dover Corporation and its affiliates.

Intuitive Control Console / Wireless Column Communication  
HDC50/60 lifts are manufactured using the following patents:  
(U.S. Patent No. 6983196 / U.S. Patent No. 8083034)

YA12 True Up / Down Lifting Movement: (U.S. Patent No. 6,059,263) / Sentinel Lock™ System (U.S. Patent No. 6,446,757)  
Bolt-On Alignment Kit Spacer Plate with enclosed pockets: (U.S. Patent No. D740742)